

 **REGAL**
T Y R E S

PERFORMANCE

PERFORMANCE



THE SMART CHOICE

WORLD-CLASS QUALITY



Durban



Ladysmith

Regal's world-class, high performance tyres are computer-designed, engineered and constructed to meet the most exacting international quality standards, including the E MARK and DOT ratings.

All Regal tyres are manufactured in South Africa by Dunlop Tyres at two state-of-the-art production facilities, utilising the latest equipment and advanced compounding technology. Regal truck tyres are produced in Durban, Africa's busiest port, while passenger and light truck product is manufactured in Ladysmith, conveniently located between Durban and South Africa's business hub, Johannesburg.

Both Dunlop manufacturing plants are fully ISO 9001:2000 and ISO 14001 compliant, highlighting the impeccable pedigree and stringent quality standards behind every Regal tyre.

Regal tyres are superior quality tyres that have been designed to combine economy and performance across a spectrum of motoring applications encompassing passenger, light commercial and truck.

International



ISO 9001:2000

Certified ISO 14001 by



USA

DOT

DEPARTMENT OF TRANSPORT
DOT REGISTRATION

Europe



E MARK CERTIFICATION

China



CONTENTS

WORLD CLASS QUALITY *Inside Front Cover*

TYRE TERMINOLOGY 2

PASSENGER

PREMIUM COMFORT 3

RD-3100 4

RACER 5

SPORT COMFORT 6

RST-220 7

LIGHT TRUCK

TRANSPORT 8

SAFARI 9

TRUCK RANGE 10

TRANSPORT 366 11

TRANSPORT 465 12

TRANSPORT 357 13

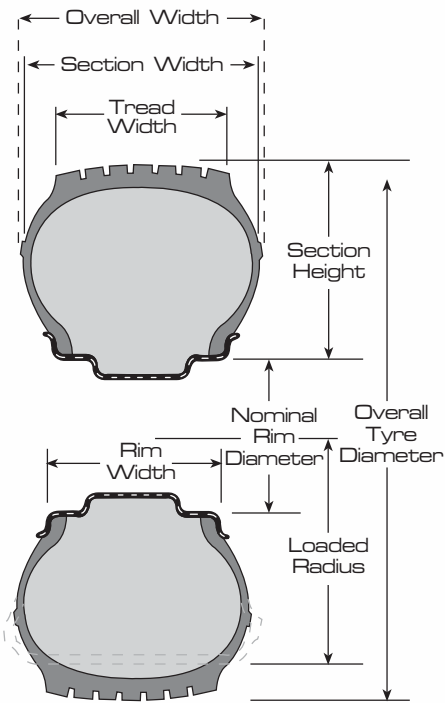
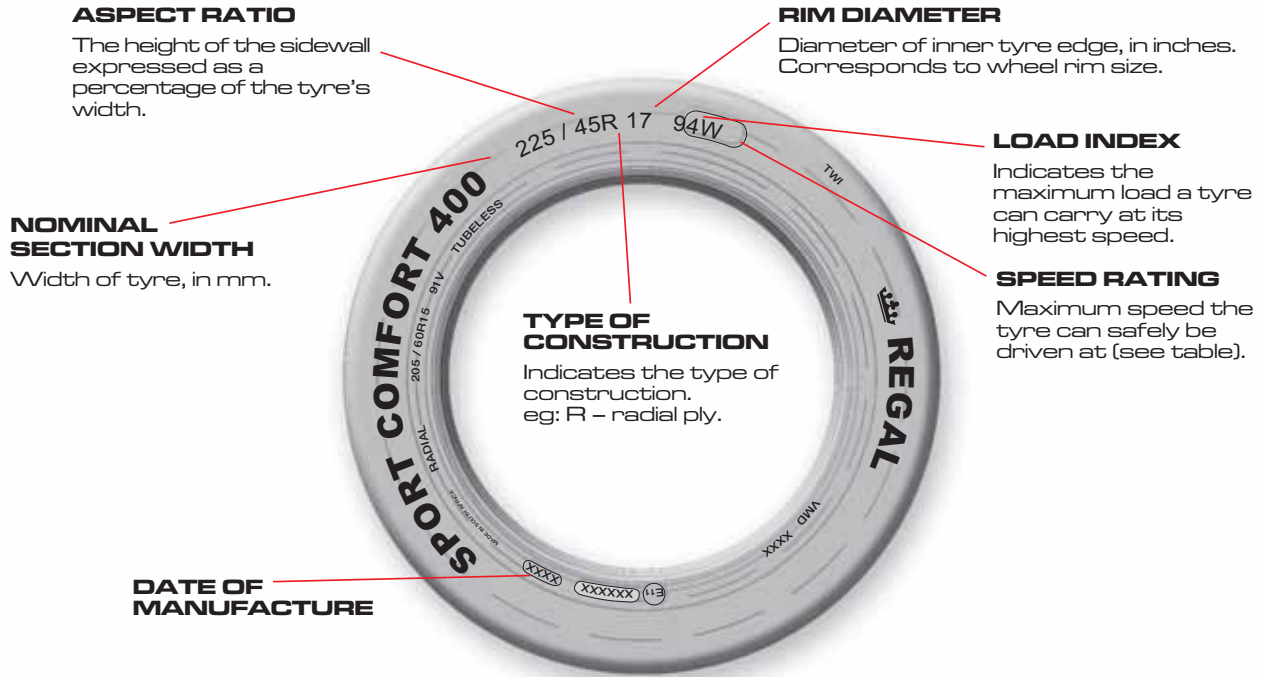
TRANSPORT 431 14

TRANSPORT 355 15

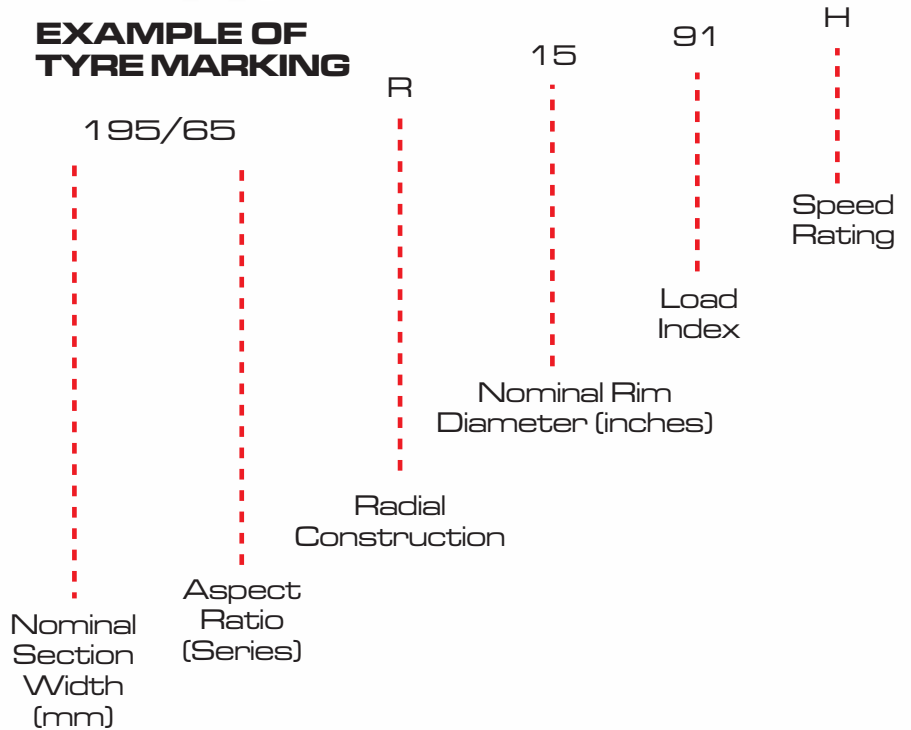
TRANSPORT 811 16

TRUCK RADIAL *Inside Back Cover*

TYRE TERMINOLOGY



EXAMPLE OF TYRE MARKING



ABOUT SPEED RATINGS

Speed symbol	G	J	K	L	M	N	P	Q	R	S	T	U	H	V	W	Y	Z
Speed (Km/h)	90	100	110	120	130	140	150	160	170	180	190	200	210	240	270	300	240+

PREMIUM COMFORT

This modern asymmetric tyre offers exceptional performance under the most demanding driving conditions.

Stiffer blocks in the outer shoulder provide precise steering response and cornering stability while the more flexible inner shoulders feature increased grooving, which provides more grip and ensures optimum road contact. The increased groove density and distribution provides for very low noise generation and comfort.

The Premium Comfort, capable of speeds up to 270km/h, features the latest silica compound technology. This tyre provides the sophisticated and discerning driver with reduced fuel consumption and enhanced overall vehicle performance.

Tyre Size	Load Index	Speed Index	Measuring Rim	Overall Diameter (mm)	Section Width (mm)	Maximum Load (Kg)	Maximum Pressure (kPa)	Pattern Depth (mm)
195/55 R 15	85	V	6.0	593	195	515	250	8.3
205/55 R 16	91	W	6.5	630	210	615	250	8.3
225/55 R 16	95	W	7.0	650	230	690	250	8.3
225/45 R 17	94 XL	W	7.5	634	229	670	290	8.3
235/45 R 17	97 XL	W	8.0	640	236	730	290	8.3
205/40 R 17	84	W	7.5	595	212	500	290	8.3
225/40 R 18	92 XL	W	8.9	637	231	560	250	8.3
235/40 R 18	95 XL	W	8.5	641	235	615	250	8.3

RD-3100

This innovative Ultra-High Performance (UHP) unidirectional tyre is capable of handling speeds of up to 270km/h.

The high-tech polymer compound allows the tyre to cope with extreme operating conditions and the modern tread pattern provides superior aquaplaning resistance and outstanding water evacuation.

The RD-3100 provides low noise levels and superb response and handling at high speeds.

Tyre Size	Load Index	Speed Index	Measuring Rim	Overall Diameter (mm)	Section Width (mm)	Maximum Load (Kg)	Maximum Pressure (kPa)	Pattern Depth (mm)
205/55 R 16	91	W	6.5	629	210	615	250	7.5
205/50 R 16	87	W	6.5	610	210	545	250	8.5
205/45 R 16	83	W	7.0	593	205	487	250	8.0
215/45 R 17	87	W	7.0	622	220	545	300	8.5
225/45 R 17	94 XL	W	7.5	634	225	670	300	8.5
235/45 R 17	97 XL	W	8.0	644	236	730	300	8.5
205/40 R 17	84	W	7.5	594	212	500	300	8.5
235/40 R 17	90	W	8.5	620	241	600	300	8.5

PERFORMANCE

 **REGAL**
TYRES
THE SMART CHOICE

RACER

A high performance asymmetrical passenger tyre for the custom car and tuner enthusiast. The bold tread pattern puts more rubber on the road to maximise grip whilst circumferential and fluted grooves provide efficient water dispersal for excellent wet weather performance.

To protect mags against scuffing, a rim protector is a feature on all sizes.

Tyre Size	Load Index	Speed Index	Measuring Rim	Overall Diameter (mm)	Section Width (mm)	Maximum Load (Kg)	Maximum Pressure (kPa)	Pattern Depth (mm)
185/60 R 14	82	H	5.5	578	189	475	250	5.5
195/50 R 15	82	V	6.0	577	201	475	250	6.0
225/45 R 17	94 XL	W	7.5	634	225	670	290	7.5
235/45 R 17	97 XL	W	8.0	640	236	730	290	7.5
205/40 R 17	84	W	7.5	596	212	500	290	7.5
225/40 R 18	92 XL	W	8.0	637	230	560	250	8.0
235/40 R 18	95 XL	W	8.5	641	235	615	250	8.0

PERFORMANCE

 **REGAL**
TYRES
THE SMART CHOICE

SPORT COMFORT R

This high performance directional tread pattern follows European trends for drive comfort and a quiet ride. The four circumferential grooves offer excellent straight-line water evacuation, while the solid centre ribs provide good directional stability and steering response.

The Sport Comfort offers superb response, stability and safety at high speeds.

Tyre Size	Load Index	Speed Index	Measuring Rim	Overall Diameter (mm)	Section Width (mm)	Maximum Load (Kg)	Maximum Pressure (kPa)	Pattern Depth (mm)
175/65 R 14	82	H	5.0	579	173	475	250	7.9
185/65 R 14	86	H	5.5	591	184	530	250	7.9
• 195/65 R 14	89	H	6.0	604	196	580	250	7.9
• 185/65 R 15	88	H	5.5	616	184	560	250	7.9
195/65 R 15	91	H	6.0	629	196	615	250	7.9
195/65 R 15	91	V	6.0	629	196	615	250	7.9
205/65 R 15	94	H	6.0	647	210	670	250	7.9
205/65 R 15	94	V	6.0	647	210	670	250	7.9
185/60 R 14	82	H	5.5	573	184	475	250	7.9
* 195/60 R 14	86	H	6.0	585	196	530	250	7.9
195/60 R 15	88	H	6.0	610	202	560	250	7.9
195/60 R 15	88	V	6.0	610	202	560	250	7.9
205/60 R 15	91	H	6.0	628	205	615	250	7.9
205/60 R 15	91	V	6.0	628	205	615	250	7.9
* 205/55 R 15	88	V	6.5	610	208	545	250	7.9
195/50 R 15	82	V	6.0	573	196	475	250	7.9
* 205/50 R 15	86	V	6.5	592	208	530	250	7.9

* Pattern RSV-240
• Pattern RSH-230

FIRST-220



The computer-designed tread pattern offers excellent wet and dry handling characteristics. The proven tread compound formulation, together with lateral and circumferential drainage channels, allows for optimal removal of surface water thus providing exceptional road holding and tread life.

Tyre Size	Load Index	Speed Index	Measuring Rim	Overall Diameter (mm)	Section Width (mm)	Maximum Load (Kg)	Maximum Pressure (kPa)	Pattern Depth (mm)
155/80 R 13	79	T	4.5	572	157	437	280	7.2
165/80 R 13	83	T	4.5	594	171	487	280	7.2
175/80 R 14	88	T	5.0	634	176	560	280	7.2
155/70 R 13	75	T	4.5	541	152	387	290	7.2
165/70 R 13	79	T	5.0	556	169	437	290	7.2
175/70 R 13	82	T	5.0	580	172	475	290	7.2
175/65 R 14	82	T	5.0	577	172	475	290	7.2
185/65 R 14	86	T	5.5	589	183	530	290	7.2

PERFORMANCE

REGAL
TYRES
THE SMART CHOICE

TRANSPORT



An all-wheel position new generation highway commercial steel-belted radial tyre with four-rib tread design and robust carcass construction for high load and speed capability, safer handling, even wear and comfort. 'Shield' breaker system provides excellent puncture resistance and offers long original tread life.

Tyre Size	Load Index	Speed Index	Measuring Rim	Overall Diameter (mm)	Section Width (mm)	Maximum Load (Kg)	Maximum Pressure (kPa)	Recommended Rim (J)
185 R 14C	102/100	Q	5.5	650	192	850/800*	450	10.8
195 R 14C	106/104	S	5.5	666	198	950/900*	450	10.8
215 R 15C	109/107	S	6.0	723	218	1030/975*	375	11.0
195/70 R 15C	104/102	S	6.0	651	195	900/850*	450	9.5
225/70 R 15C	112/110	R	6.5	697	228	1 120/1 060*	450	11.3

*Single/dual fitment

PERFORMANCE


THE SMART CHOICE

SAFARI

A steel-belt light truck/recreational radial-ply tyre with a multipurpose pattern for on- and off-road use.

The Regal Safari offers excellent off-road traction, braking and manoeuvrability in wet and dry conditions. The unique computer-designed block pattern has self-cleaning properties for all-road surfaces.

exceptional high-speed steering ability plus high levels of comfort, ride refinement, low noise characteristics and improved straight-line performance in highway applications.

Tyre Size	Load Index	Speed Index	Measuring Rim	Overall Diameter (mm)	Section Width (mm)	Maximum Load (Kg)	Maximum Pressure (kPa)	Pattern Depth (mm)
245/75 R 15C	107/105	S	7.0	747	251	975/920*	350	10.5
245/70 R 16	111/109	S	7.0	752	249	1 090/1 030*	375	10.0
205 R 14C	109/107	S	6.0	686	208	925/875*	375	10.5
215 R 15C	109/107	S	6.0	728	212	1 030/975*	375	12.0

*Single/dual fitment

PERFORMANCE

 **REGAL**
TYRES
THE SMART CHOICE

TRUCK RANGE

Low application stress

REGIONAL

Conditions
Medium haul - Journey less than 500km, speed 80km/h or less depending on conditions and load

Annual mileage
Between 50 000km and 120 000km/year

Tyre wear
Medium abrasion with increased lateral scrub

LONG HAUL

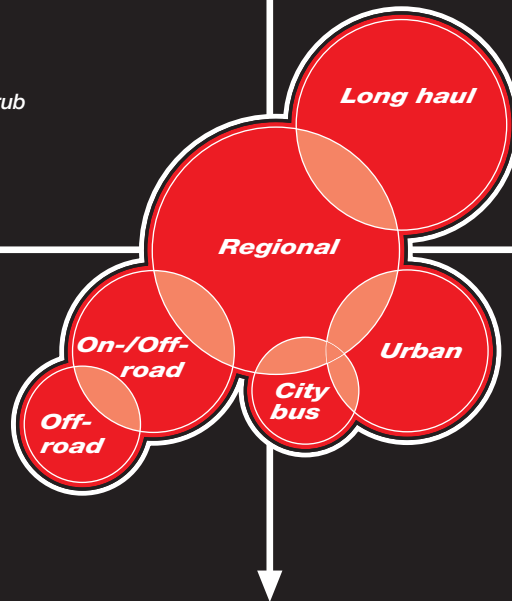
Conditions
Long haul - Journey more than 500km, high speeds

Annual mileage
More than 120 000km/year

Tyre wear
Low abrasion, long tread life

High surface aggression

Low surface aggression



OFF-ROAD

Conditions
Short trips on varied terrains mostly off-road

Annual mileage
Less than 30 000km/year

Tyre wear
High abrasion and chipping very aggressive

URBAN

Conditions
Stop/start work in city and urban applications

Annual mileage
Less than 50 000km/year

Tyre wear
High wear, constant turning and breaking

High application stress

Low application stress

REGIONAL SIZES AND PATTERNS

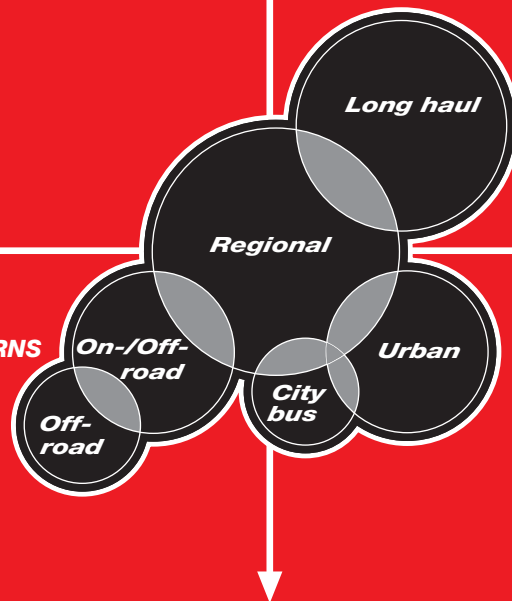
TRANSPORT 355 / 431 / 811 / 357
295/80 R 22.5
315/80 R 22.5
11 R 22.5
12 R 22.5

LONG HAUL SIZES AND PATTERNS

TRANSPORT 366 / 465 / 357
295/80 R 22.5
315/80 R 22.5
385/65 R 22.5

High surface aggression

Low surface aggression



ON-/OFF-ROAD SIZES AND PATTERNS

TRANSPORT 431 OTR / 811 OTR
315/80 R 22.5
12 R 22.5
13 R 22.5

URBAN SIZES AND PATTERNS

TRANSPORT 355
11 R 22.5
12 R 22.5
295/80 R 22.5
315/80 R 22.5

High application stress

TRANSPORT 366

This new generation, long-haul tyre, is designed specifically for steer axle fitment on trucks, coaches and buses.

The wide five-rib pattern, featuring a silica tread compound, and even ground pressure distribution in the footprint, ensures slow even wear, and excellent steering response.

Tyre Size	Load Index	Speed Index	Measuring Rim	Overall Diameter (mm)	Section Width (mm)	Maximum Load (Kg)	Maximum Pressure (kPa)	Pattern Depth (mm)
295/80 R 22.5	152/148	M	9.0	1 044	298	3 550/3 150*	850	16.3
315/80 R 22.5	154/150	M	9.0	1 083	317	3 750/3 350*	825	16.3
315/70 R 22.5	+154/150	L	9.0	1 014	312	3 750/3 350*	900	15.2
385/65 R 22.5	160	K	11.75	1072	378	4 500	900	16.3

* Single/dual fitment
 † In development

PERFORMANCE

REGAL
 TYRES
 THE SMART CHOICE

IF TRANSPORT 465 55



This new generation, premium tread-depth drive tyre offers excellent traction and long tread life, for long haul over the road applications specifically.

The wide, flat footprint featuring a silica tread compound, coupled to circumferential tie bars, provides excellent kilometreage and low cost per kilometre.

Tyre Size	Load Index	Speed Index	Measuring Rim	Overall Diameter (mm)	Section Width (mm)	Maximum Load (Kg)	Maximum Pressure (kPa)	Pattern Depth (mm)
295/80 R 22.5	152/148	M	9.0	1 064	298	3 550/3 150*	850	22.6
315/80 R 22.5	154/150	M	9.0	1 090	317	3 750/3 350*	825	22.6
315/70 R 22.5	+154/150	L	9.0	1 031	312	3 750/3 350*	900	22.6

*Single/dual fitment
+ In development

PERFORMANCE

REGAL
TYRES
THE SMART CHOICE

TRANSPORT 357

A flatter radius, premium pattern-depth and an optimised footprint have been incorporated in this regional steer and trailer tyre.

Designed for long even wear on paved roads, with a durable casing for retreading.

Tyre Size	Load Index	Speed Index	Measuring Rim	Overall Diameter (mm)	Section Width (mm)	Maximum Load (Kg)	Maximum Pressure (kPa)	Pattern Depth (mm)
12 R 22.5	152/148	M	9.0	1 088	305	3 550/3 150*	850	16.3
315/80 R 22.5	154/150	M	9.0	1 076	314	3 750/3 350*	825	16.4

*Single/dual fitment

PERFORMANCE

 **REGAL**
TYRES
THE SMART CHOICE

TRANSPORT 43143

A premium pattern-depth steel radial tyre designed specifically for drive-axle applications. This unique block pattern offers excellent traction and long tread life, without sacrificing retreadability. Optimum performance will be achieved on well-paved roads.

Also available in OTR compound for 50%+ off-road application.

Tyre Size	Load Index	Speed Index	Measuring Rim	Overall Diameter (mm)	Section Width (mm)	Maximum Load (Kg)	Maximum Pressure (kPa)	Pattern Depth (mm)
12 R 22.5	152/148	M	9.0	1 085	300	3 550/3 150*	850	21.1
315/80 R 22.5	154/150	M	9.0	1 090	312	3 750/3 350*	825	21.1

*Single/dual fitment

PERFORMANCE

 **REGAL**
TYRES
THE SMART CHOICE

TRANSPORT 355



This new generation premium pattern-depth highway tyre features a wide, flat footprint designed to give optimum kilometreage performance when fitted to the steer axles on regional haulage vehicles.

The combination of the five-rib pattern, wide shoulder ribs and an even pressure distribution within the footprint give a high degree of resistance to tyre induced irregular wear patterns.

Tyre Size	Load Index	Speed Index	Measuring Rim	Overall Diameter (mm)	Section Width (mm)	Maximum Load (Kg)	Maximum Pressure (kPa)	Pattern Depth (mm)
11 R 22.5	148/145	L	8.25	1 048	279	3 150/2 900*	850	15.2
12 R 22.5	152/148	M	9.0	1 084	300	3 550/3 150*	850	15.1
295/80 R 22.5	152/148	M	9.0	1 044	298	3 550/3 150*	850	15.2
315/80 R 22.5	154/150	M	9.0	1 076	312	3 750/3 350*	825	15.1

*Single/dual fitment

PERFORMANCE

REGAL
TYRES
THE SMART CHOICE

TRANSPORT 811

An all-position steel radial tyre where operating conditions are approximately 20% off-road. Optimum performance will be achieved in short and medium haul operations.

Also available in OTR compound for 50%+ off-road application.

Tyre Size	Load Index	Speed Index	Measuring Rim	Overall Diameter (mm)	Section Width (mm)	Maximum Load (kg)	Maximum Pressure (kPa)	Pattern Depth (mm)
12 R 22.5	150/146	K	9.00	1 085	300	3 350/3 000*	800	16.2
13 R 22.5	154/150	K	9.75	1 126	319	3 750/3 350*	850	16.5
315/80 R 22.5	154/150	M	9.00	1 081	312	3 750/3 350*	825	16.6

*Single/dual fitment

PERFORMANCE

REGAL
TYRES
THE SMART CHOICE

Load Index

LI	Kg	LI	Kg	LI	Kg	LI	Kg	LI	Kg
80	450	110	1 060	140	2 500	170	6 000	200	14 000
81	462	111	1 090	141	2 575	171	6 150	201	14 500
82	475	112	1 120	142	2 650	172	6 300	202	15 000
83	487	113	1 150	143	2 725	173	6 500	203	15 500
84	500	114	1 180	144	2 800	174	6 700	204	16 000
85	515	115	1 215	145	2 900	175	6 900	205	16 500
86	530	116	1 250	146	3 000	176	7 100	206	17 000
87	545	117	1 285	147	3 075	177	7 300	207	17 500
88	560	118	1 320	148	3 150	178	7 500	208	18 000
89	580	119	1 360	149	3 250	179	7 750	209	18 500
90	600	120	1 400	150	3 350	180	8 000	210	19 000
91	615	121	1 450	151	3 450	181	8 250	211	19 500
92	630	122	1 500	152	3 550	182	8 500	212	20 000
93	650	123	1 550	153	3 650	183	8 750	213	20 600
94	670	124	1 600	154	3 750	184	9 000	214	21 200
95	690	125	1 650	155	3 875	185	9 250	215	21 800
96	710	126	1 700	156	4 000	186	9 500	216	22 400
97	730	127	1 750	157	4 125	187	9 750	217	23 000
98	750	128	1 800	158	4 250	188	10 000	218	23 600
99	775	129	1 850	159	4 375	189	10 300	219	24 300
100	800	130	1 900	160	4 500	190	10 600	220	25 000
101	825	131	1 950	161	4 625	191	10 900	221	25 750
102	850	132	2 000	162	4 750	192	11 200	222	26 500
103	875	133	2 060	163	4 875	193	11 500	223	27 250
104	900	134	2 120	164	5 000	194	11 800	224	28 000
105	925	135	2 180	165	5 150	195	12 150	225	29 000
106	950	136	2 240	166	5 300	196	12 500	226	30 000
107	975	137	2 300	167	5 450	197	12 850	227	30 750
108	1 000	138	2 360	168	5 600	198	13 200	228	31 500
109	1 030	139	2 430	169	5 800	199	13 600	229	32 500

Maximum Speed

Speed symbol	A1	A2	A3	A4	A5	A6	A7	A8	B	C	D	E	F	G	J
Speed (Km/h)	5	10	15	20	25	30	35	40	50	60	65	70	80	90	100
Speed symbol	K	L	M	N	P	Q	R	S	T	U	H	V	W	Y	Z
Speed (Km/h)	110	120	130	140	150	160	170	180	190	200	210	240	270	300	240+



Export Department
PO Box 925 Durban 4000 KwaZulu-Natal South Africa

265 Sydney Road Durban 4001 KwaZulu-Natal South Africa
Tel +27 31 242 1111 Fax +27 31 242 1143
E-mail exports@dunlop.co.za
Website www.regaltyres.com